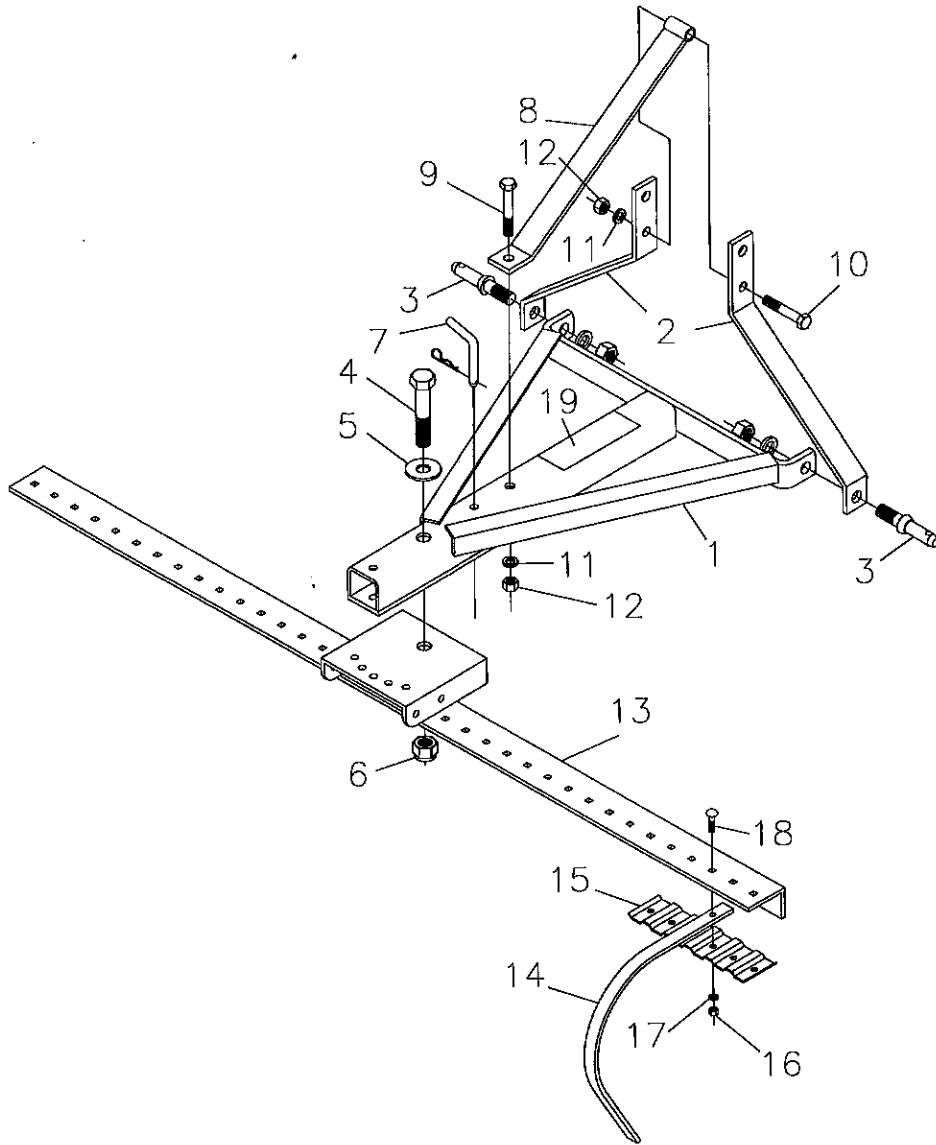


MCR LANDSCAPE RAKES



REF. NO.	PART NO.	DESCRIPTION	NO. REQ.
1	345140	3 Pt. Mount Frame (four piece)	1
2	345147	Toplink Side Bar	2
3	590108	Draw Pin (AK-578)	2
4	2503028	Bolt 1" - 8 NC x 5" Hex Head	1
5	2501001	Washer 1" Flat	1
6	2500045	Nut 1" - 8 NC Hex Nylock	1
7	341857	Shift Pin (1/2" x 3/4")	1
8	345145	Brace, Toplink	1
9	2503066	Bolt 5/8" - 11 NC x 4" Hex Head	1
10	2503049	Bolt 5/8" - 11 NC x 3 1/2" Hex Head	1
11	2502007	Washer 5/8" Springlock	2
12	2500013	Nut 5/8" - 11 NC Full Hex	2
13	341901	Tinebar Weldment (MCR-6)	1
	341907	Tinebar Weldment (MCR-7)	1

REF. NO.	PART NO.	DESCRIPTION	NO. REQ.
14	341704	Rake Tooth (MCR-6)	36
		Rake Tooth (MCR-7)	42
15	341705	Tooth Support (MCR-6)	6
		Tooth Support (MCR-7)	7
16	2500004	Nut 3/8" - 16 NC Full Hex (MCR-6)	36
		Nut 3/8" - 16 NC Full Hex (MCR-7)	42
17	2502008	Washer 3/8" Springlock (MCR-6)	36
		Washer 3/8" Springlock (MCR-7)	42
18	2503103	Bolt 3/8" - 16 NC x 1 1/2" Carriage Head (MCR-6)	36
		Bolt 3/8" - 16 NC x 1 1/2" Carriage Head (MCR-7)	42
19	101148	Decal - Caution	1